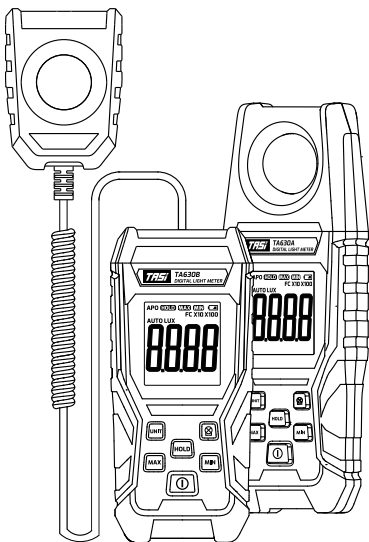


TASI

TA630A / B

DIGITAL LIGHT METER

Users Manual



©Suzhou TASI Electronics Co.,Ltd.

All rights reserved

Pack #: PB01-0258

Dear customer,
Thank you for choosing **TASI**,
If there are any technical questions, please
contact:
<http://www.china-tasi.com>


Introduction

TA630 series Light Meter is used to measure the brightness of visible light, and it can change the measuring range automatically ; It is suitable for storage, factories, hospitals, schools and other occasions.

Safety Information

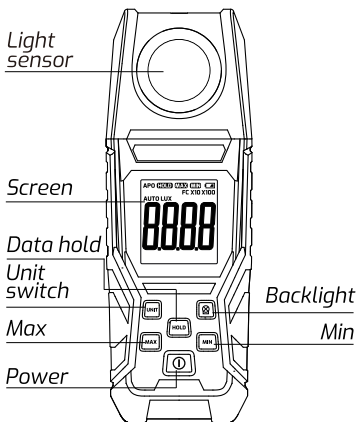
To prevent eye damage and personal injury, please read all safety information carefully before you use the product.

Warning

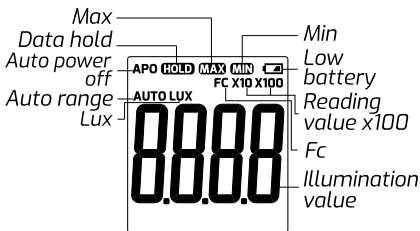
- Do not use this product in an environment with explosive gas, flammable vapor and dust;
- Please check the product before use. Do not use if the product is damaged;
- Replace the batteries when the "  " symbol shows to prevent incorrect measurements;
- To prevent battery leakage, please remove the battery if the product is not used for an extended period of time, or if stored in temperatures above 50°C;
- Only authorized technicians are allowed to repair this product.

Product

Overview



Display



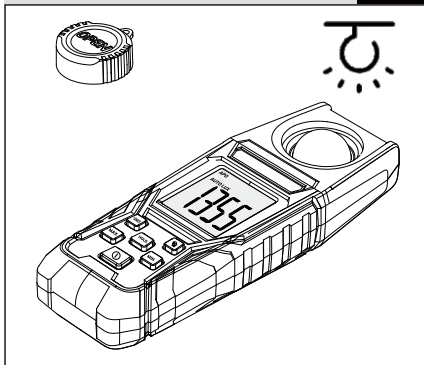
Technical Specifications

Model	TA630A	TA630B
Measurement method	Integral type	Split type
Range	0.1 ~ 200000Lux / 0.01 ~ 20000Fc	
Measuring level	200 / 2000 / 20000 / 200000Lux 20 / 200 / 2000 / 20000Fc	
Accuracy	$\pm(4\%+10\text{dgts})$ (calibrated under the standard incandescent lamp at color temperature 2856°K)	
Resolution	LUX: <200: 0.1; \geq 200: 1 FC: <20: 0.01; <200 >20: 0.1; \geq 200: 1	
Display	4 digits, max 1999	
Light sensor	Digital sensor with filter lens	
Sampling rate	Approx. 2 times/s	
Incident angle	120°	
Repeated test deviation	$\pm 2\%$	
Spectral range	400 ~ 700nm	
Working environment	-10 ~ 50°C, max 80%RH, indoor altitude <2000m	
Storage environment	-10 ~ 50°C, max 70%RH (battery removed)	
Length	—	Approx. 1m
Product size	168x59x34mm	130x59x34mm
Screen size	34 x 31mm	
Weight	Approx. 150g (battery not included)	Approx. 165g (battery not included)
Power	2 x 1.5V AAA (R03/LR03)	

Operation

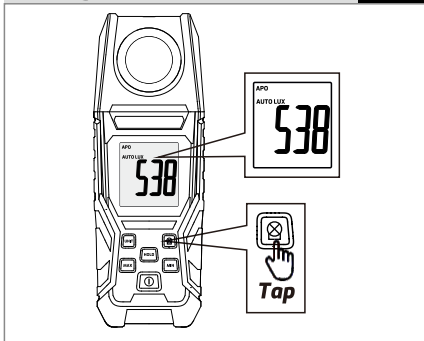
Illuminance Measurement

1



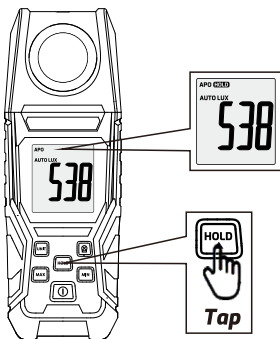
Backlight

2



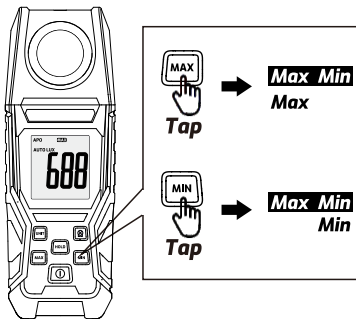
Data Hold

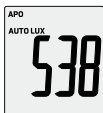
4



Max / Min

5





Tap

Note: $1FC=10.764LUX$ / $1LUX=0.09290FC$

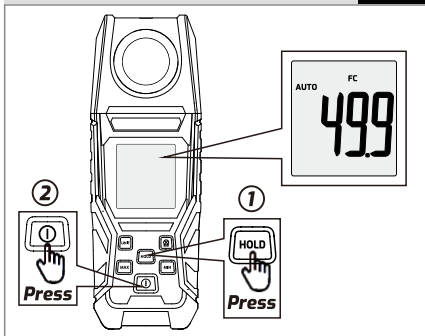


15 min

OFF

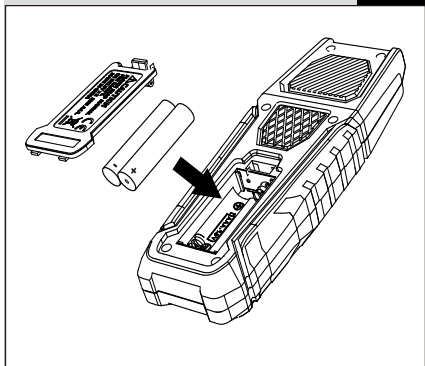
Disable Auto Power Off

8



Battery Replacement

9



Warranty:

Each product is warranted in material and workmanship under normal use. The warranty period is one year and begins on the date of purchase.

To obtain warranty service, please contact the dealer or manufacturer to obtain return authorization information, then send the product to the service center.

TASI

CE

*Product: DIGITAL LIGHT METER
Model: TA630A / B
Date: 16/02/2023*

Suzhou TASI Electronics Co.,Ltd.

Add:5th Floor, Building 5, No. 317, Mudong Road, Wuzhong District, Suzhou City, Jiangsu Province. China.

Tel:+86-512-68057436

<http://www.china-tasi.com>

MADE IN CHINA