

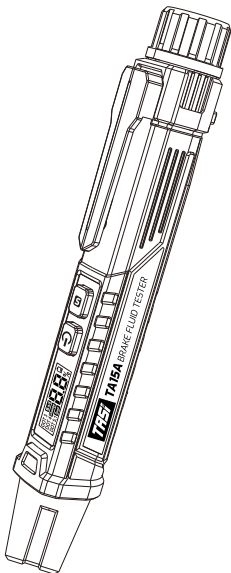
TASI

TA15A

BRAKE FLUID TESTER

Users Manual

CE



©Suzhou TASI Electronics Co.,Ltd.

All rights reserved

Pack #: PB01-9945

Dear customer,

Thank you for choosing **TASI**,

If there are any technical questions, please contact:

<http://www.china-tasi.com>

Introduction

TA15A Brake Fluid Tester can be used as digital testing instrument suitable for determining the brake fluid quality. The quality is tested and indicated on three LEDs in terms of % of water in the brake fluid.

Safety Matters

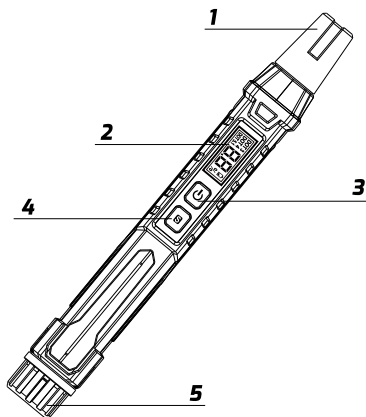
⚠Warning

- If the pen is not used as instructed, the protective function provided by the pen may be affected or invalidated;
- Do not use the pen if the display is not displayed;
- Do not use the pen if it is damaged or not working properly;
- Before use, specially check whether the tip of the probe is dirty, cracked or broken. If you suspect that there is a problem, please send it for repairing it time;
- When using the pen to detect liquid, the metal probe must be completely immersed in the liquid;

- *To ensure the test accuracy, please keep it properly. If the metal probe is corroded, scratched or oxidized, the detection accuracy will be affected;*
- *Please clean the probe completely before testing next liquid to avoid affecting the test results;*
- *The test results of this pen are for reference only. If the customer uses it as the basis for the final judgement and causes personal and property losses, the company shall not bear any responsibility.*

Product

Overview



- 1** Probe
- 2** LCD screen
- 3** Power
- 4** Function button
- 5** Battery cover

Display




Technical Specifications

| | |
|---------------------|------------------------------------------------|
| Range | 0% ~ 4% |
| Error | ±0.3% |
| Detection types | DOT3 , DOT4 , DOT5.1 |
| Working environment | 0 ~ 40°C; max 95%RH indoor altitude < 2000m |
| Storage environment | -10 ~ 50°C; max 70%RH (battery removed) |
| Product size | 174 x 23 x 28mm |
| Weight | Approx.32g (battery not included) |
| Power | 2 x 1.5V AAA |

Operation

Power On/Off

- Press "  " button to power on/off;
- It will automatically power off after 5 minutes without any operations.

Function Switching


- Press " **S** " button to select the DOT brake fluid type between DOT3, DOT4 and DOT5.

Moisture Detection

- After starting up, select the suitable brake fluid type by pressing the " **S** " button;

- Ensure the probe is clean and free of damage. Immerse all the probe into the tested brake fluid for 3 seconds. Wait for the display to stabilize, observe the status, and read the value;
- If the value is between 0 ~ 2%, it will indicate with green backlight and the brake fluid can be used normally; if between 2 ~ 3%, it will indicate with yellow backlight and emit slow buzzer sound, representing the brake fluid needs to be replaced;
- If greater than 3%, it will indicate with red backlight and emit fast buzzer sound, please change the brake fluid immediately.

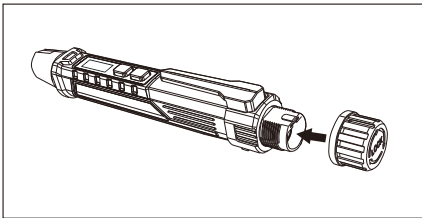
Low Battery Indication

- When the battery voltage is less than 2.6V, the display will display the "" symbol;
- When the battery voltage is less than 2.4V, the Brake Fluid Tester will automatically turn off; Please replace the battery in time once the undervoltage indication appeared.

Maintenance

Battery Replacement

- Please follow the below picture to install and replace the 1.5V AAA battery:



Cleaning

- Use soap and water on a damp sponge or soft cloth to clean the Product case;
- Carefully wipe the metal probe surface with a moist cotton swab. The swab may be moistened with water;
- It can only be used until the Brake Fluid Tester is completely dry after cleaning.

Warranty:

Each product is warranted in material and workmanship under normal use. The warranty period is one year and begins on the date of purchase.

To obtain warranty service, please contact the dealer or manufacturer to obtain return authorization information, then send the product to the service center.

TASI

CE

Product: BRAKE FLUID TESTER
Model: TA15A
Date: 29/11/2022

Suzhou TASI Electronics Co.,Ltd.

Add:5th Floor, Building 5, No. 317, Mudong Road, Wuzhong District, Suzhou City, Jiangsu Province, China.

Tel:+86-512-68057436

<http://www.china-tasi.com>

MADE IN CHINA